



Look at American Technology... See the Difference.

CENTER HIGH MOUNT STOP LAMP

p/n AT-LED-28x30-003

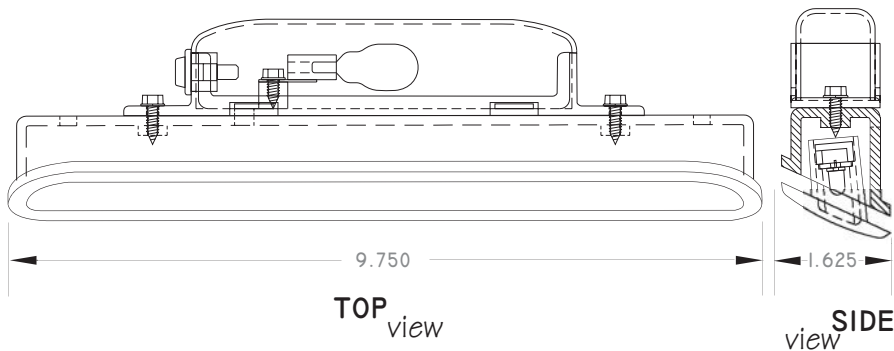
RETROFIT
to existing models of
INCANDESCENT
brake lamps



screwless
FRONT LENS
assembly

recessed 28 L.E.D.
LAMP WITH INTERIOR CARGO LIGHT

OPTIONAL
cargo light
AVAILABLE



shown with
INTERIOR CARGO LIGHT
attached

SPECIFICATIONS

voltage
amperage (typical)
ratings & approvals
material

13.8V DC NOMINAL (9 - 15V DC)
.203AMPS @ 13.8V DC
S.A.E. U 98
HIGH IMPACT POLYCARBONATE LENS

Take a look at the features of this combination stop lamp/cargo light and you will see why this product was voted 'BEST NEW PRODUCT' at the TCAA Light Truck Accessory Expo in 1999.

This award winning design includes many unique features such as:

- Integrated interior cargo lamp with power on/off switch.
- Screwless front lens assembly - fasteners install through rear cover.
- Injection molded interior cover with flange to conceal rough openings.
- Low profile - less than 1 3/4" high.
- O.E.M. quality, fit, and performance meets applicable S.A.E. requirements.

CALL US TODAY WITH YOUR
APPLICATION!

V-Sales Company
2016 Borneman Ave.
Elkhart, Indiana 46517
Toll-free: 800-528-7953
www.v-sales.com