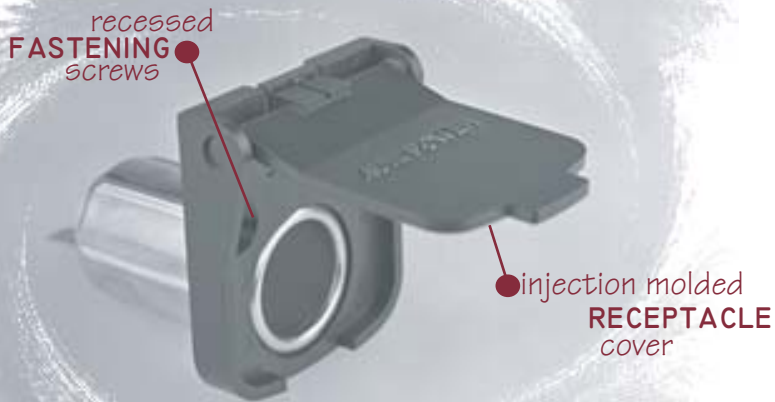
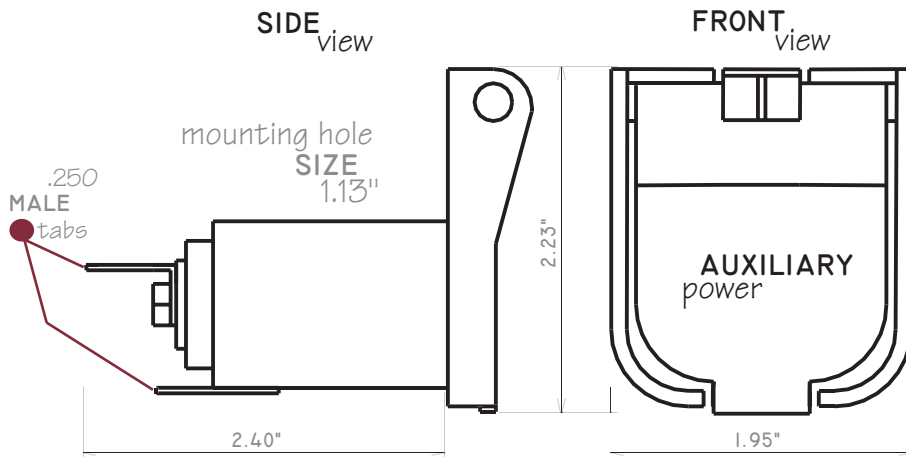


Look at American Technology... See the Difference.

AUTOMOTIVE 12V POWER POINT



12 volt
POWER POINT
p/n AV90-001



SPECIFICATIONS

operating voltage
current draw

6 VOLT - 12 VOLT DC
UP TO 15 AMPS

ATC is offering a power center for virtually any 12V accessory for the van, recreational vehicle and sport utility vehicle markets.

Take just one look and you'll see why our AV90-001 SERIES AUTOMOTIVE 12V POWER POINT has become 'the standard' in automotive power points.

Features include:

- Spring loaded safety outlet cover to protect from debris entering the receptacle.
- Hidden mounting screw locations.
- Ideal for indash 12V power point applications.
- Locate anywhere 12V power point is required.
- Quick connect .250 male terminals allow for fast installation. PRODUCT IS BLACK
- Injection molded A.B.S. for O.E.M. quality.

CALL US TODAY WITH YOUR
APPLICATION!

V-Sales Company
2016 Borneman Ave.
Elkhart, Indiana 46517
Toll-free: 800-528-7953
www.v-sales.com