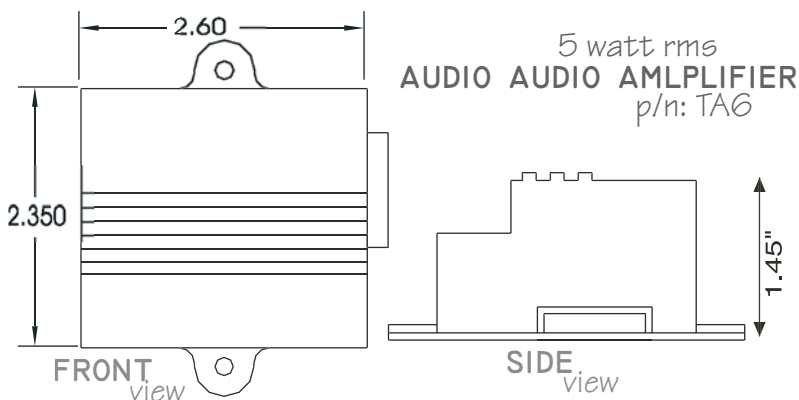


Look at American Technology... See the Difference.

AUTOMOTIVE TV SOUND AMPLIFIER

COMPACT
and easy
TO INSTALL

p/n: TA6



SPECIFICATIONS

SINGLE CHANNEL
OPERATING VOLTAGE
IDLE CURRENT
FULL OUTPUT
INPUT PROTECTION
OUTPUT PROTECTION

10 WATT AMP
10-16 VDC
50 MA
> 1 AMP
REVERSE POLARITY
THERMAL & SHORT

Take television sound to a higher level! American Technology's amplifier gives a full 5 watts of output - more than enough to overcome road and engine noise.

This unit incorporates built-in filter protection circuitry to specifically remove interference and engine whine.

The injection-molded module includes two mounting tabs and an Amp 4-pin locking connector in a simple 'in-line' installation.

Designed to plug into your custom TV headphone harness, the amplifier offers an optional pigtail harness which is available to plug directly into the TV.

CALL US TODAY FOR MORE INFORMATION!

CALL US TODAY WITH YOUR
APPLICATION!

V-Sales Company
2016 Borneman Ave.
Elkhart, Indiana 46517
Toll-free: 800-528-7953
www.v-sales.com